

Embedded Solutions



USB

SLC USB Flash Drive

Transcend SLC USB Flash Drive features a compact, portable design that can be used in industrial, medical, and military applications where reliability and data retention are crucial. Industrial-grade USB Flash Drives is built to endure severe temperatures, shock, and intensive read/write cycles and features high reliability and extended endurance.

Hardware Features

- SLC NAND flash
- Hot-swapping for easy plug-and-play

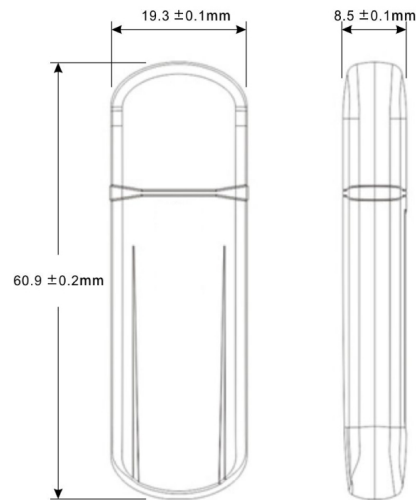
Ordering Information

512MB	TS512MJF170
1GB	TS1GJF170
2GB	TS2GJF170

Specifications

Appearance	Dimensions	60.9 mm x 19.3 mm x 8.5 mm (2.4" x 0.76" x 0.33")
Interface	Connection Interface	USB 2.0
	USB Type	USB Type-A
Storage	Flash Type	SLC NAND flash
	Capacity	512 MB / 1 GB / 2 GB
Operating Environment	Operating Voltage	5V±10%
	Operating Temperature	0°C (32°F) ~ 70°C (158°F)
	Storage Temperature	-40°C (-40°F) ~ 85°C (185°F)
	Shock	1500 G, 0.5 ms, 3 axis
	Vibration (Operating)	3 G (peak-to-peak), 5 Hz ~ 800 Hz (frequency)
Power	Power Consumption (Operation)	0.5 watt(s)
Performance	Read Speed (Max.)	up to 20 MB/s
	Write Speed (Max.)	up to 12 MB/s
	Terabytes Written (TBW)	up to 62.5 TBW
	Mean Time Between Failures (MTBF)	3,000,000 hour(s)
Warranty	Certificate	CE / FCC / BSMI
	Warranty	Three-year Limited Warranty

Mechanical Dimensions



Product specifications are subject to change without notice. Pictures shown may differ from actual products. Total accessible capacity varies depending on operating environment. Due to the complexity and variety of industrial applications, Transcend cannot guarantee 100% compatibility with all platforms and under all scenarios. For special applications and environments, it is strongly suggested that you contact Transcend beforehand for clarification.