



Embedded Solutions



SATA III M.2 SSDs MTS952A

Transcend's MTS952A M.2 SSD features the SATA III interface and state-of-the-art 3D NAND technology, which allows 96 layers of 3D NAND flash chips to be vertically stacked. Compared to 3D NAND at 64 layers, this density breakthrough greatly improves storage efficiency, and its built-in DRAM cache allows faster access. The MTS952A is compliant with the TCG Opal 2.0 standards. Data is secured by encryption and hierarchical permission. It is fully tested in-house to guarantee reliability in mission-critical applications, boasting an endurance rating of 3K Program/Erase cycles and an extended operating temperature ranging from -20°C~75°C.

Hardware Features

- DDR3 DRAM Cache embedded
- 30μ" PCB gold finger
- Endurance: 3K P/E cycles (Program/Erase cycles) guaranteed
- Key components fortified by default with Corner Bond technology
- Promised operational reliability in an extended temperature range (from -20°C to 75°C)

Ordering Information

64GB	TS64GMTS952A
128GB	TS128GMTS952A
256GB	TS256GMTS952A
512GB	TS512GMTS952A
1TB	TS1TMTS952A
2TB	TS2TMTS952A

Firmware Features

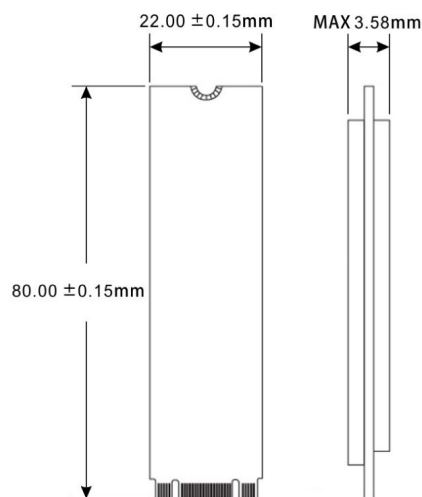
- Dynamic thermal throttling
- Built-in LDPC ECC (Error Correction Code) functionality
- Supports S.M.A.R.T. function to conduct health monitoring, analysis, and reporting for storage devices
- Power-saving DevSleep (Device Sleep) mode
- Compliant with TCG Opal specifications and IEEE 1667 standards

*Supports Microsoft® eDrive standard

Specifications

Appearance	Dimensions	80.0 mm x 22.0 mm x 3.58 mm (3.15" x 0.87" x 0.14")
	Weight	9 g (0.32 oz)
	Form Factor	M.2
	M.2 Type	2280-D2-B-M (Double-sided)
Interface	Bus Interface	SATA III 6Gb/s
Storage	Flash Type	3D NAND flash
	Capacity	64 GB / 128 GB / 256 GB / 512 GB / 1 TB / 2 TB
Operating Environment	Operating Voltage	3.3V±5%
	Operating Temperature	Extended Temp. -20°C (-4°F) ~ 75°C (167°F)
	Storage Temperature	-55°C (-67°F) ~ 85°C (185°F)
	Humidity	5% ~ 95%
	Shock	1500 G, 0.5 ms, 3 axis
	Vibration (Operating)	20 G (peak-to-peak), 7 Hz ~ 2000 Hz (frequency)
Power	Power Consumption (Operation)	2.1 watt(s)
	Power Consumption (Sleep)	0.4 watt(s)
Performance	Sequential Read/Write (CrystalDiskMark)	Read: up to 560 MB/s Write: up to 520 MB/s
	4K Random Read/Write (IOMeter)	Read: up to 95,000 IOPS Write: up to 85,000 IOPS
	Mean Time Between Failures (MTBF)	3,000,000 hour(s)
	Terabytes Written (TBW)	up to 1,760 TBW
	Drive Writes Per Day (DWPD)	1.61 (3 yrs)
Warranty	Certificate	CE / FCC / BSMI
	Warranty	Three-year Limited Warranty

Mechanical Dimensions



Product specifications are subject to change without notice. Pictures shown may differ from actual products. Total accessible capacity varies depending on operating environment. Due to the complexity and variety of industrial applications, Transcend cannot guarantee 100% compatibility with all platforms and under all scenarios. For special applications and environments, it is strongly suggested that you contact Transcend beforehand for clarification.