



## Embedded Solutions



### PCIe M.2 SSDs

# MTE632T

Transcend's industrial M.2 SSD MTE632T features the PCI Express (PCIe) Gen 3 x4 interface and is compatible with NVMe Express (NVMe) 1.3 specifications to achieve never-before-seen transfer speeds. The MTE632T features state-of-the-art 3D NAND technology, which allows 96 layers of 3D NAND flash chips to be vertically stacked. Compared to 3D NAND at 64 layers, this density breakthrough greatly improves storage efficiency. The MTE632T comes with space-saving M.2 form factor, which is ideal for space-limited devices. It is fully tested in-house to guarantee reliability in mission-critical applications, boasting an endurance rating of 3K Program/Erase cycles.

### Hardware Features

- PCIe Gen 3 x4 interface
- Endurance: 3K P/E cycles (Program/Erase cycles) guaranteed
- Space-saving M.2 form factor (80mm) – ideal for mobile computing devices
- Supports Transcend Scope Pro software
- Key components fortified by default with Corner Bond technology

### Ordering Information

128GB	TS128GMTE632T
256GB	TS256GMTE632T
512GB	TS512GMTE632T

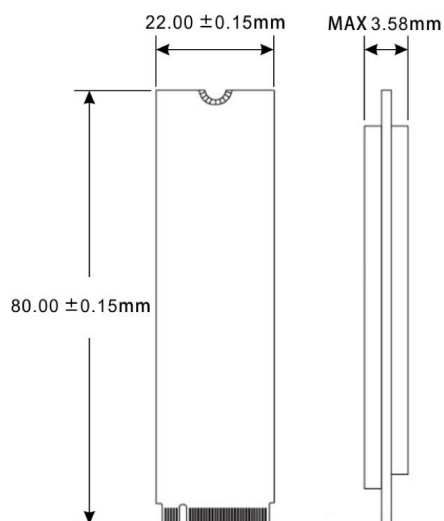
### Firmware Features

- Supports NVM command
- SLC caching technology
- Dynamic thermal throttling
- Built-in LDPC ECC (Error Correction Code) functionality
- Static Data Refresh

## Specifications

<b>Appearance</b>	Dimensions	80 mm x 22 mm x 2.23 mm (3.15" x 0.87" x 0.08")
	Weight	9 g (0.32 oz)
	Form Factor	M.2
	M.2 Type	2280-S2-M (Single-sided)
<b>Interface</b>	Bus Interface	NVMe PCIe Gen3 x4
<b>Storage</b>	Flash Type	3D NAND flash
	Capacity	128 GB / 256 GB / 512 GB
<b>Operating Environment</b>	Operating Voltage	3.3V±5%
	Operating Temperature	Standard Temp. 0°C (32°F) ~ 70°C (158°F)
	Storage Temperature	-55°C (-67°F) ~ 85°C (185°F)
	Humidity	5% ~ 95%
	Shock	1500 G, 0.5 ms, 3 axis
	Vibration (Operating)	20 G (peak-to-peak), 7 Hz ~ 2000 Hz (frequency)
<b>Power</b>	Power Consumption (Operation)	4.2 watt(s)
	Power Consumption (IDLE)	0.56 watt(s)
<b>Performance</b>	Sequential Read/Write (CrystalDiskMark)	Read: up to 1,700 MB/s Write: up to 900 MB/s
	4K Random Read/Write (IOMeter)	Read: up to 130,000 IOPS Write: up to 200,000 IOPS
	Mean Time Between Failures (MTBF)	3,000,000 hour(s)
	Terabytes Written (TBW)	up to 400 TBW
	Drive Writes Per Day (DWPD)	0.73 (3 yrs)
<b>Warranty</b>	Certificate	CE / FCC / BSMI
	Warranty	Three-year Limited Warranty

## Mechanical Dimensions



Product specifications are subject to change without notice. Pictures shown may differ from actual products. Total accessible capacity varies depending on operating environment. Due to the complexity and variety of industrial applications, Transcend cannot guarantee 100% compatibility with all platforms and under all scenarios. For special applications and environments, it is strongly suggested that you contact Transcend beforehand for clarification.