

## Embedded Solutions



### SD Cards

## SDHC/SDXC420T

Utilizing top-quality 3D NAND Flash and rated to endure 3K P/E cycles, Transcend's SDXC/SDHC 420T memory cards combine the advantages of high performance and exceptional endurance at an affordable price, making them ideal for demanding industrial applications such as POS terminals as well as portable devices equipped with an SD memory card slot.

### Hardware Features

- Compliant with SD specification 6.1
- Compliant with UHS-I
- Endurance: 3K P/E cycles (Program/Erase cycles) guaranteed
- Electrostatic protection (ESD IEC 61000-4-2)

### Firmware Features

- Built-in ECC (Error Correction Code) functionality
- Early Move
- Wear-Leveling

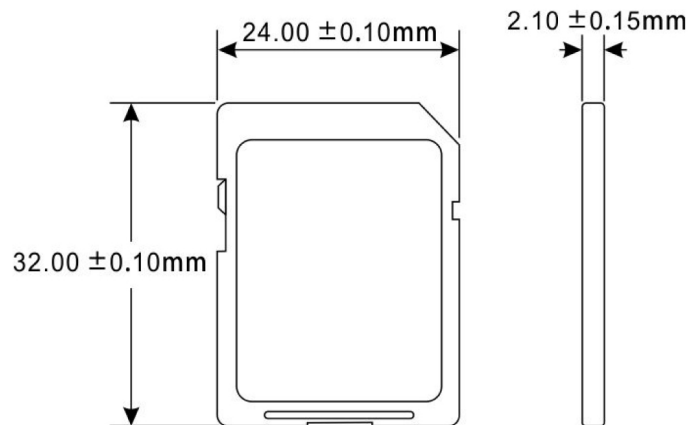
### Ordering Information

16GB	TS16GSDC420T
32GB	TS32GSDC420T
64GB	TS64GSDC420T
128GB	TS128GSDC420T
256GB	TS256GSDC420T

## Specifications

<b>Appearance</b>	Dimensions	24 mm x 32 mm x 2.1 mm (0.94" x 1.26" x 0.08")
	Form Factor	SD flash card
<b>Storage</b>	Flash Type	3D NAND flash
	Capacity	16 GB / 32 GB / 64 GB / 128 GB / 256 GB
<b>Operating Environment</b>	Operating Voltage	2.7V ~ 3.6V
	Drop Test	1.5m free fall
	Operating Temperature	Standard Temp. -25°C (-13°F) ~ 85°C (185°F)
	Storage Temperature	-40°C (-40°F) ~ 85°C (185°F)
	Humidity	0% ~ 95%
	Shock	Acceleration: 490 m/s <sup>2</sup> (standard holding time: 11 ms, semi-sine wave, velocity change: 3.44 m/s)
	Vibration (Operating)	20 G (peak-to-peak), 20 Hz ~ 2,000 Hz (frequency)
<b>Power</b>	Power Consumption (Max.)	0.5 watt(s)
<b>Performance</b>	Read Speed (Max.)	up to 95 MB/s
	Write Speed (Max.)	up to 40 MB/s
	Terabytes Written (TBW)	up to 640 TBW
<b>Warranty</b>	Certificate	CE / FCC / UKCA
	Warranty	Three-year Limited Warranty

## Mechanical Dimensions



Product specifications are subject to change without notice. Pictures shown may differ from actual products. Total accessible capacity varies depending on operating environment. Due to the complexity and variety of industrial applications, Transcend cannot guarantee 100% compatibility with all platforms and under all scenarios. For special applications and environments, it is strongly suggested that you contact Transcend beforehand for clarification.