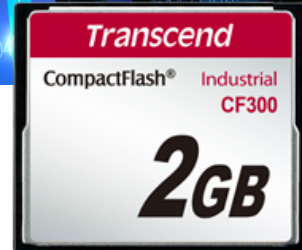


Embedded Solutions



CompactFlash Cards CF300

Transcend's CF300 cards are high-speed industrial CF cards offering impressive 300X transfer rates. With matchless performance and durability, CF300 CF cards are perfect for POS and embedded systems that require both industrial-grade reliability and an ultra-high speed data transfer.

Hardware Features

- Compliant with RoHS 2.0 standards
- Compliant with CompactFlash specification 6.0
- Durability: 10,000 insertion/removal cycles
- Intelligent Power Shield (IPS) to prevent data loss in the event of sudden power outage

Firmware Features

- Supports S.M.A.R.T. function to conduct health monitoring, analysis, and reporting for storage devices
- Security Command
- Wear-Leveling
- True IDE Mode supported: UDMA0-5 (default), MDMA0-4, PIO0-6
- True IDE Mode: Fixed Disk (Standard)

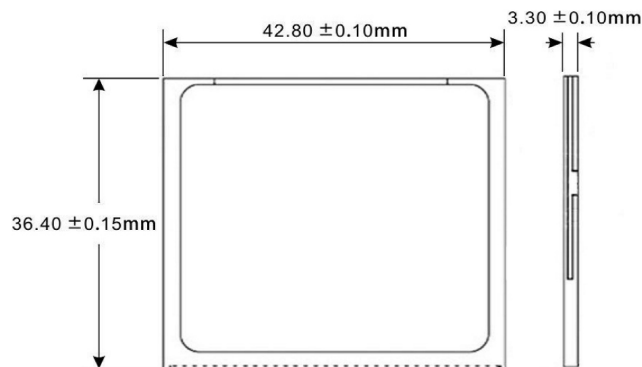
Ordering Information

512MB	TS512MCF300
1GB	TS1GCF300
2GB	TS2GCF300

Specifications

Appearance	Dimensions	42.8 mm x 36.4 mm x 3.3 mm (1.69" x 1.43" x 0.13")
	Pin Count	50 pin
	Form Factor	Compact flash card
Storage	Flash Type	SLC NAND flash
	Capacity	512 MB / 1 GB / 2 GB
Operating Environment	Operating Voltage	3.3V±5% 5V±10%
	Operating Temperature	-25°C (-13°F) ~ 85°C (185°F)
	Storage Temperature	-40°C (-40°F) ~ 85°C (185°F)
	Humidity	0% ~ 95%
	Shock	Acceleration: 490 m/s ² (standard holding time: 11 ms, semi-sine wave, velocity change: 3.44 m/s)
	Vibration (Operating)	20 G (peak-to-peak), 20 Hz ~ 2,000 Hz (frequency)
Power	Power Consumption (Max.)	0.297 watt(s)
Performance	Read Speed (Max.)	up to 24 MB/s
	Write Speed (Max.)	up to 14 MB/s
	Mean Time Between Failures (MTBF)	1,000,000 hour(s)
Warranty	Warranty	Three-year Limited Warranty

Mechanical Dimensions



Product specifications are subject to change without notice. Pictures shown may differ from actual products. Total accessible capacity varies depending on operating environment. Due to the complexity and variety of industrial applications, Transcend cannot guarantee 100% compatibility with all platforms and under all scenarios. For special applications and environments, it is strongly suggested that you contact Transcend beforehand for clarification.