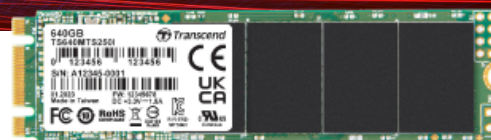


## Embedded Solutions



### SATA III M.2 SSDs

## MTS250I

Transcend's MTS250I features a SATA III 6Gb/s interface and the 112-layer 3D NAND flash, delivering density breakthrough that greatly improves storage efficiency. The 30 $\mu$ m gold finger PCB, Corner Bond technology, and anti-sulfur resistor guarantee its reliability in harsh conditions. Transcend also adopts the SLC Mode technology to enable the drive to reach competitive speeds and SLC-grade durability. Transcend's MTS250I is also 100% chamber tested in-house for wide operating temperatures of -40°C~85°C.

### Hardware Features

- High-quality 3D NAND flash and SLC mode for exceptional endurance and reliability
- Anti-sulfur technology implemented to prevent sulfuration in the environment
- 30 $\mu$ m PCB gold finger
- Key components fortified by default with Corner Bond technology
- Promised operational reliability in a wide temperature range (from -40°C to 85°C)

### Ordering Information

20GB	TS20GMTS250I
40GB	TS40GMTS250I
80GB	TS80GMTS250I
160GB	TS160GMTS250I
320GB	TS320GMTS250I
640GB	TS640GMTS250I

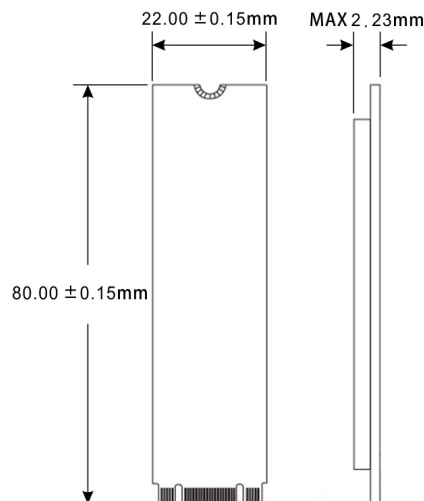
### Firmware Features

- Supports S.M.A.R.T. function to conduct health monitoring, analysis, and reporting for storage devices
- Advanced Garbage Collection
- Advanced Global Wear-Leveling and Block management for reliability
- Built-in LDPC ECC (Error Correction Code) functionality
- Dynamic thermal throttling

## Specifications

<b>Appearance</b>	Dimensions	80 mm x 22 mm x 2.23 mm (3.15" x 0.87" x 0.09")
	Weight	8 g (0.28 oz)
	M.2 Type	2280-S2-B-M (Single-sided)
	Form Factor	M.2 2280
<b>Interface</b>	Bus Interface	SATA III 6Gb/s
<b>Storage</b>	Capacity	20 GB / 40 GB / 80 GB / 160 GB / 320 GB / 640 GB
	Flash Type	112-layer 3D NAND flash (SLC mode)
<b>Operating Environment</b>	Operating Voltage	3.3V±5%
	Operating Temperature	Wide Temp. -40°C (-40°F) ~ 85°C (185°F)
	Storage Temperature	-55°C (-67°F) ~ 85°C (185°F)
	Humidity	5% ~ 95%
	Shock	1500 G, 0.5 ms, 3 axis
	Vibration (Operating)	20 G (peak-to-peak), 7 Hz ~ 2000 Hz (frequency)
<b>Power</b>	Power Consumption (Operation)	1.0 watt(s)
	Power Consumption (IDLE)	0.2 watt(s)
<b>Performance</b>	Sequential Read/Write (CrystalDiskMark)	Read: up to 560 MB/s Write: up to 500 MB/s
	4K Random Read/Write (IOmeter)	Read: up to 43,000 IOPS Write: up to 83,000 IOPS
	Mean Time Between Failures (MTBF)	3,000,000 hour(s)
	Terabytes Written (TBW)	up to 3905 TBW
	Drive Writes Per Day (DWPD)	44.6 (3 yrs)
<b>Warranty</b>	Certificate	CE / FCC / BSMI / UKCA
	Warranty	Three-year Limited Warranty

## Mechanical Dimensions



Product specifications are subject to change without notice. Pictures shown may differ from actual products. Total accessible capacity varies depending on operating environment. Due to the complexity and variety of industrial applications, Transcend cannot guarantee 100% compatibility with all platforms and under all scenarios. For special applications and environments, it is strongly suggested that you contact Transcend beforehand for clarification.